

# Kawaden CCTV LENS

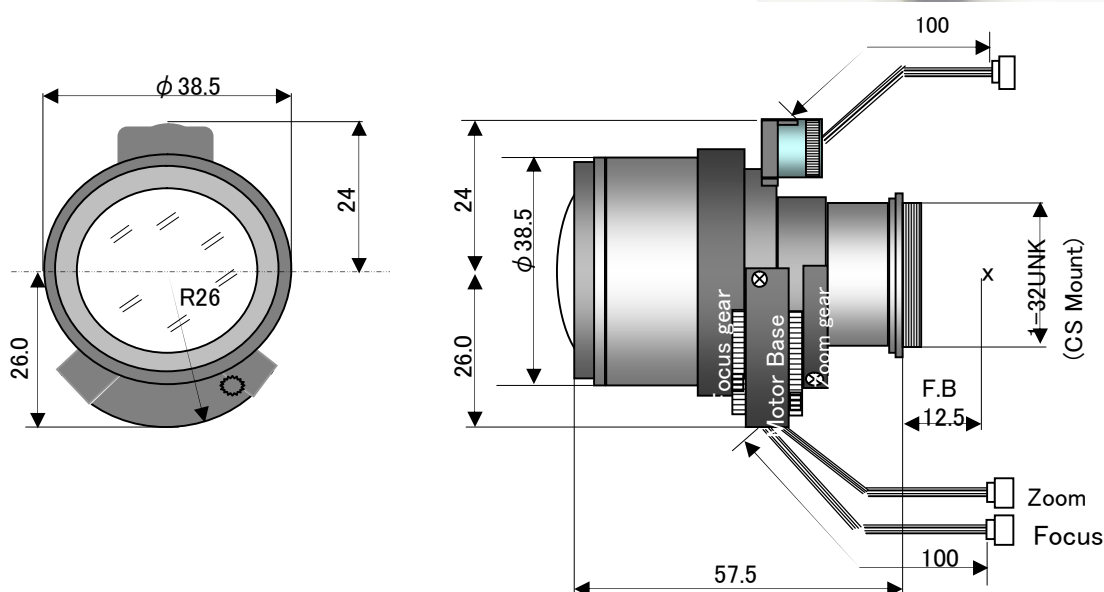
## KVM2515DIRF-2M

**Motorised "Zoom & Focus" Varifocal Lens**  
**1.3 Megapixel IR corrected**

**ED & Aspherical glass employed**

**2.5-15mm F1.4-360 DC Auto Iris**

**2 stepping motors for Zoom & Focus**



### Specifications

|                      |                |                        |                         |                                |                |
|----------------------|----------------|------------------------|-------------------------|--------------------------------|----------------|
| Model No.            | KVM2515DIRF-2M |                        | Effective Lens Diameter | Front                          | $\phi$ 33.7mm  |
| Focal Length         | 2.5 - 15mm     |                        | Flange Back Length      | Rear                           | $\phi$ 8.5mm   |
| Max. Aperture Ratio  | 1:1.4 - 360    |                        | M.O.D.                  | 12.5mm                         |                |
| Image Format         | 1/3" & 1/4"    |                        | Mount                   | 0.3m - $\infty$                |                |
| Operation            | Iris           | Auto (F1.4 - 360)      | Dimensions              | CS Mount                       |                |
|                      | Focus          | Stepping Motor         | Weight                  | 42.0(W) x 50.0(H) x 57.5(L) mm |                |
|                      | Zoom           | Stepping Motor         | Operating Voltage       | Open                           | Less than 4.0V |
| Angle of View (1/3") | D              | 128.7° (W) - 23.8° (T) | Operating Temperature   | Close                          | More than 0.5V |
|                      | H              | 104.3° (W) - 19.0° (T) |                         | -10C - +50C                    |                |
|                      | V              | 78.8° (W) - 14.3° (T)  |                         |                                |                |

Specifications are subject to change without notice

**Kawaden Co., Ltd.**